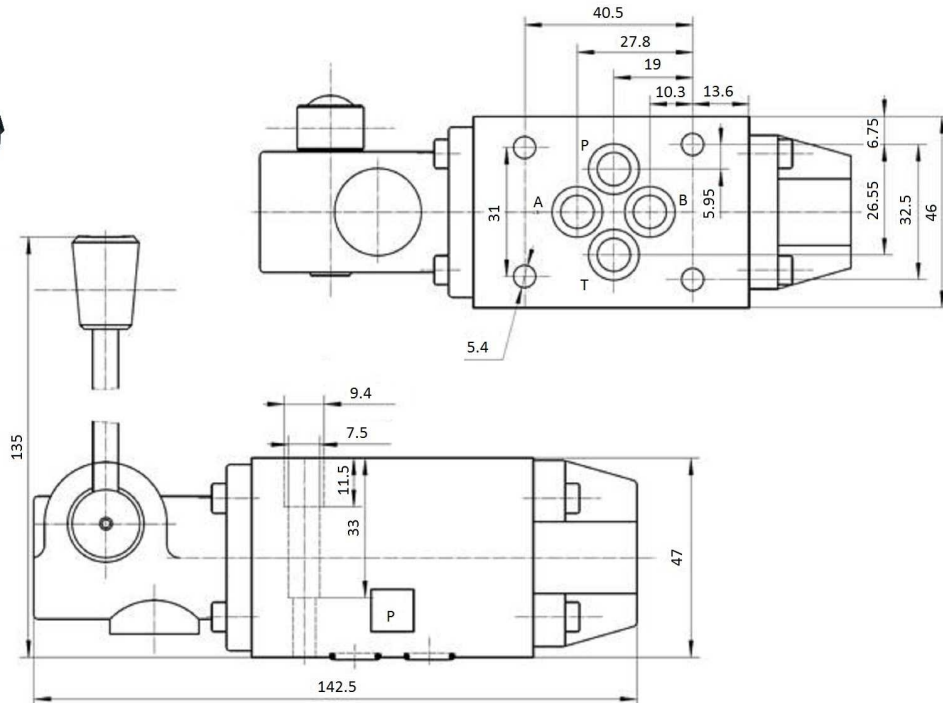
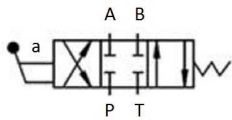


Solenoid valves

Manual valves NG6

Manual valve NG6 spool N°1

Page: 1/1



Part n°	Size	Max. flow (l/min)	Max. Press. (bar)
KVNG6M-1 H	NG-6	60	315